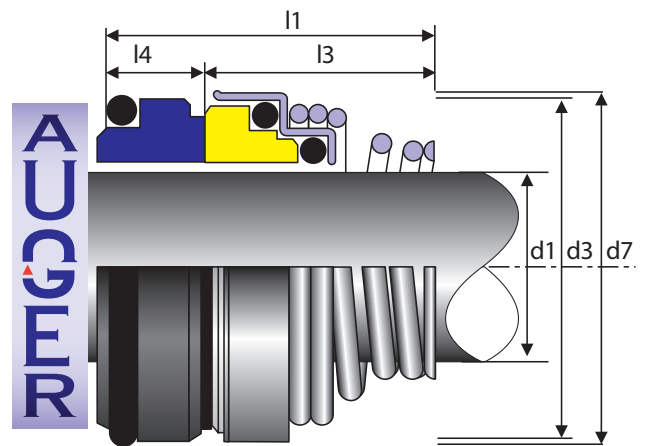


# ▶ AUGER SEAL TYPE AI

▼ WE SEAL PUMPS!



Diameter d1	d3	d7	l3	l4
10	19,50	18,10	15	5,5
11	22,50	20,60	18	5,5
12	22,50	20,60	18	5,5
13	24,50	23,10	22	6
14	24,50	23,10	22	6
15	29,00	26,90	22	7
16	29,00	26,90	23	7
17	29,00	26,90	23	7
18	32,50	30,90	24	8
19	32,50	30,90	25	8
20	32,50	30,90	25	8
22	37,50	35,40	25	8
24	37,50	35,40	27	8
25	40,00	38,20	27	8,5
28	46,00	43,30	29	9
30	46,00	43,30	30	9
32	46,00	43,30	30	9
33	48,00	53,50	30	11,5
35	50,00	53,50	39	11,5
38	56,00	60,50	39	11,5
40	58,00	60,50	39	11,5

## SPECIFICATIONS

- Pmax: 10 bar
- T°C: -40 ~ 180 °C
- Single directional

## APPLICATIONS

- Centrifugal pumps
- Submersible pumps
- Water pumps

## MATERIALS

- Faces: Cer/Carb, Q2/Q2, Tc/Tc
- Metal parts: Chri/Ni
- O-rings: Viton, EPDM, NBR

## REMARKS

- Also available according to DIN

**AUGER**<sub>N.V.</sub>

Hagelberg 31 - Industriepark Geel West Z4 - 2440 Geel - Belgium

T +32 (0)14 86 03 55 F +32 (0)14 86 03 54 E info@auger.be W www.auger.be