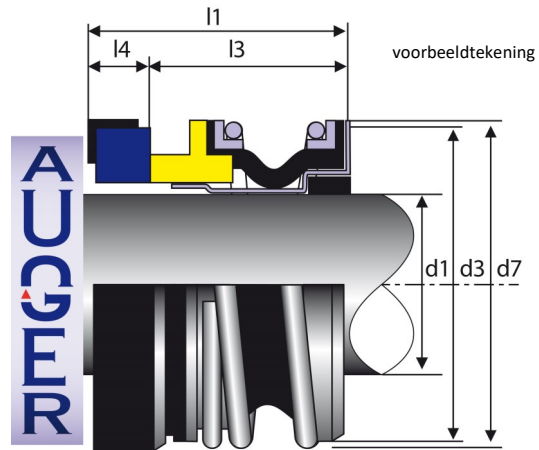


AUGER SEAL

TYPE A250-1



WE SEAL PUMPS!

Dimensions in millimeters

Diameter d1	d3	d7	l3	l4	l1
20	34	35	20	6	26
22	36	37	20	6	26
24	38	39	20	6	26
25	39	40	20	6	26
28	42	43	26	6	32
30	44	45	26	7	33
32	46	48	26	7	33
33	47	48	26	7	33
35	49	50	26	8	34
38	54	56	30	8	38
40	56	58	30	8	38
43	59	61	30	8	38
45	61	63	30	8	38
48	64	66	30	10	40
50	66	70	30	10	40
53	69	73	30	10	40
55	71	75	30	10	40
58	78	78	33	10	43
60	80	80	33	12	45
63	83	83	33	12	45
65	85	85	33	12	45

SPECIFICATIONS

- Pmax : 7 bar
- T°C: -15 ~200C
- Double directional

APPLICATIONS

- Centrifugal pumps
- Pumps swimming pools
- Water pumps

MATERIALS

- Faces carb/cer , sic/sic
- Metal parts : chr/ni, steel
- Bellow-rubbers : NBR/viton

REMARKS

AUGER N.V.